



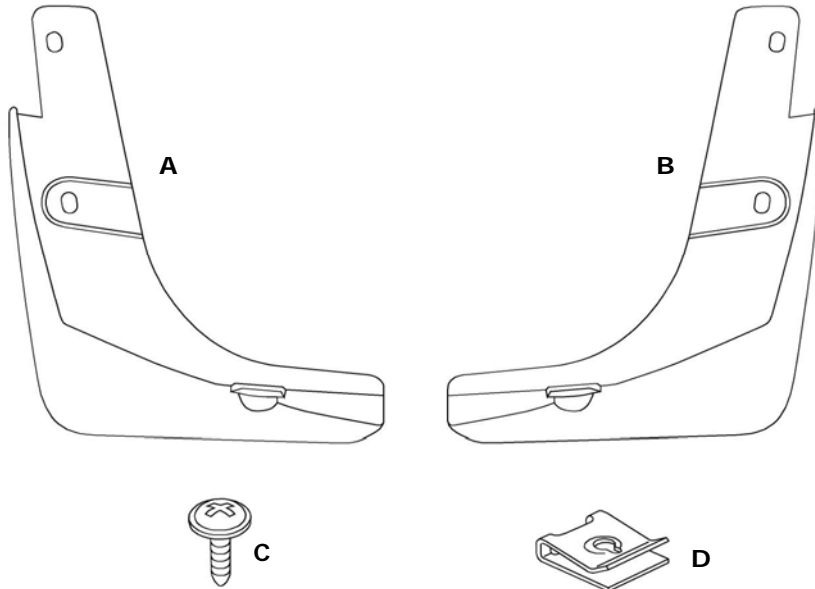
GENUINE PARTS

INSTALLATION INSTRUCTIONS

DESCRIPTION:	Splash Guard-Rear
APPLICATION:	Rogue
PART NUMBER:	999J2 G2004

KIT CONTENTS:

Item	Qty.	Part Description	Service Part Number
A	1	Splash Guard - Rear Left	78813 4BA0A
B	1	Splash Guard - Rear Right	78812 4BA0A
C	4	Phillips Screw M5 x 20mm	14-51 00891
D	2	Spring Clip	12-41 01011
E	1	Installation Instruction Replacement Template	999V2 AW000



STOP Important: Read Before Installation!

Dealer Installation Recommended.

WARNING

To avoid serious personal injury or property damage, obtain the Installation Instructions before attempting to install this accessory. The Installation Instructions provide the necessary procedures for a safe installation.

CUSTOMER INTERNET DOWNLOAD INSTRUCTIONS: Customers can obtain Installation Instructions for Infiniti or Nissan vehicles at www.Infiniti-Techno.com or www.Nissan-Techno.com respectively. From the home page, click on "Inside Publications" and select Accessory Installations. Select your model and model year, then locate the Instructions for your accessory.

DEALER ASSIST DOWNLOAD INSTRUCTIONS: Dealership technicians can locate the Installation Instructions for this accessory in **ASIST INFO TOOLBOX**. Always download and use latest version of the Installation Instructions.

Installation Instructions Replacement Template 999V2 AW000 Rev. 09/21/09

E

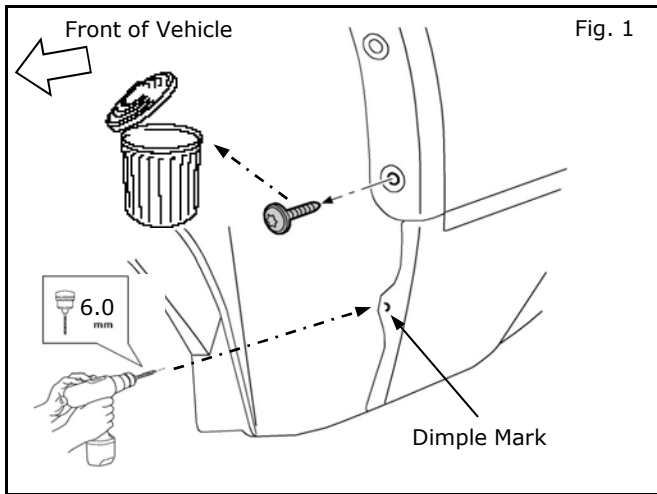
TOOLS REQUIRED:

- Drill Motor
- 6mm (1/4") drill bit
- 10mm Socket and Drive
- T-20 Torx Head Screwdriver
- Phillips Head Screwdriver
- Mild soap / water mixture
- Awl
- Clean Rag

PRE-INSTALLATION WARNINGS, CAUTIONS, CRITICAL STEPS and NOTES:

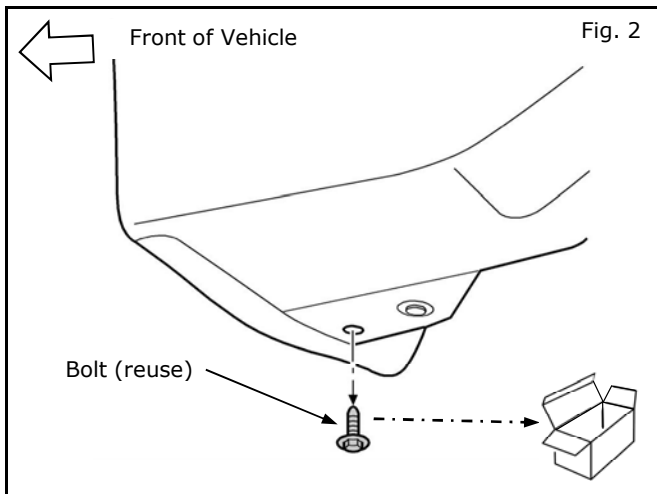
- These installation instructions are for the left side of the vehicle; the same procedure applies to the right side.
- Dealer Installation Recommended.

INSTALLATION PROCEDURE:

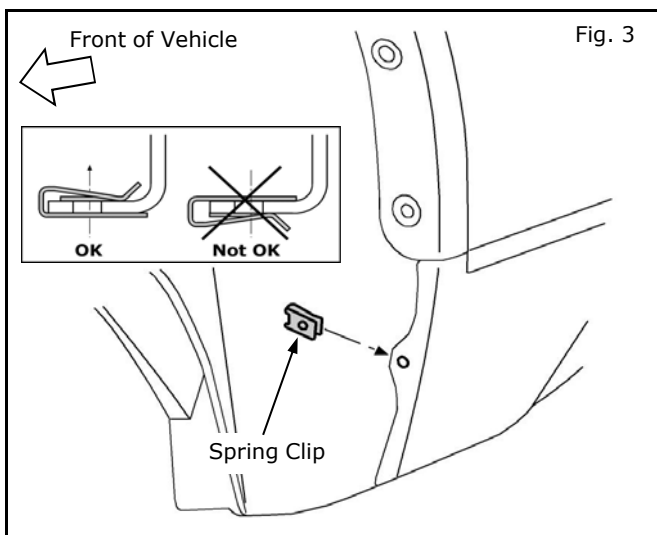


NOTE: Remove rear tire before installation.

- 1) Remove one (1) screw and discard.
- 2) Drill 6mm (1/4") hole at center of dimple mark located inside wheel well.

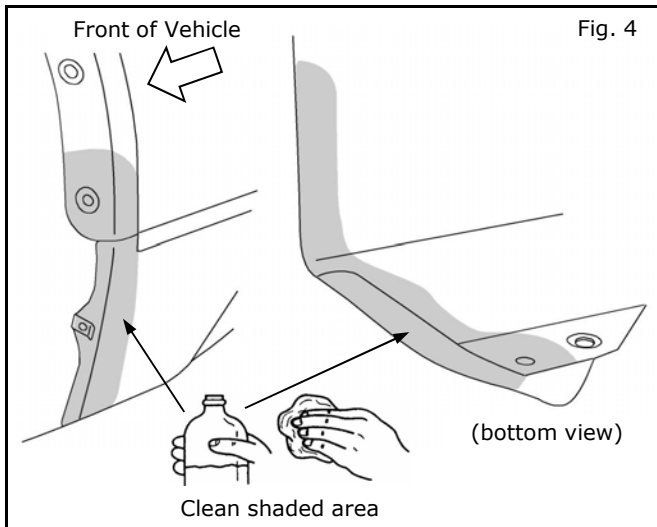


- 3) Remove one (1) bolt from bottom of rear bumper behind wheel well as shown (keep to reuse).

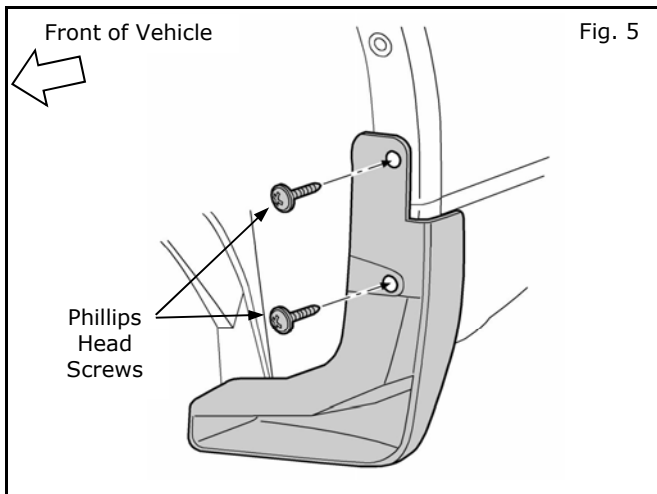


- 4) Install one (1) Spring Clip over 6mm drilled hole as shown.

INSTALLATION PROCEDURE:

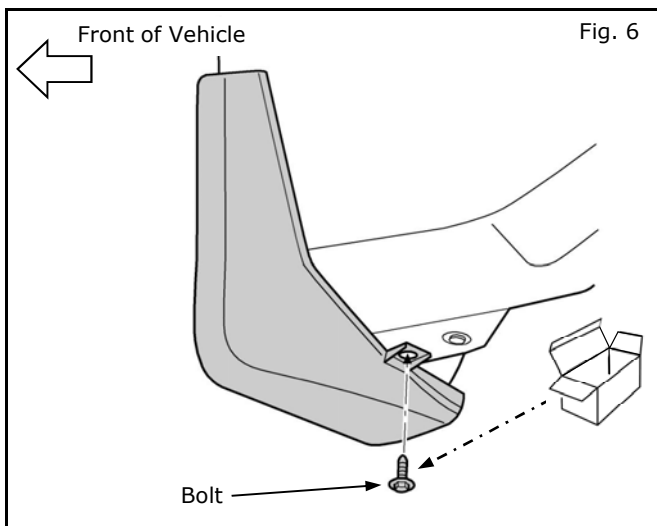


5) Clean installation surface (shaded area) with mild soap/water mixture.



6) Align splash guard to vehicle and loosely install two (2) new phillips head screws.

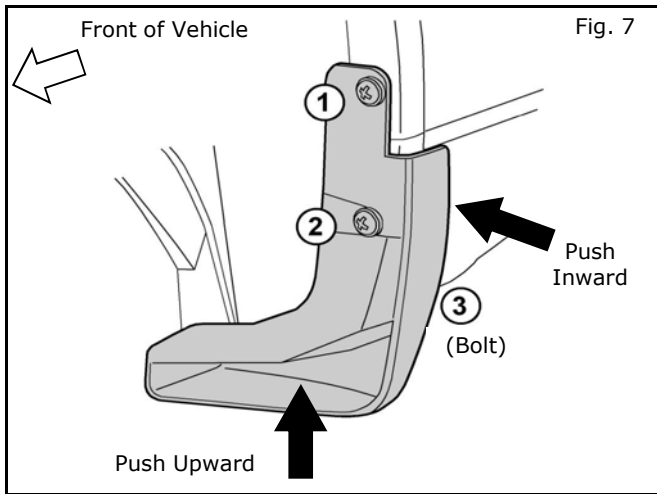
Note:
Do not tighten screws at this time.



7) Align splash guard to vehicle and loosely reinstall bolt at bottom location.

Note:
Do not tighten bolt at this time.

INSTALLATION PROCEDURE:



8) Push splash guard upward and inward towards vehicle and tighten the two (2) screws and one (1) bolt in the sequence shown.

Note:

Do not over tighten screws. Reference Tighten Torque: 3.8~4.4N-m {34~39 in-lb}

9) Repeat for passenger side of vehicle.